



## ELECTRICAL SPECIFICATIONS

Frequency Range: 2.4-2.48/5.15-5.85/6-7.125 GHz  
 Gain: 12/12/12 dBi  
 Polarization: 2 Vertical / 2 Horizontal  
 Horizontal Beamwidth: 30/20/20°  
 Vertical Beamwidth: 30/20/20°  
 VSWR: <1.5:1 Max: 2.0  
 Isolation: >30dB  
 Impedance: 50 Ω



## MECHANICAL SPECIFICATIONS

Dimensions: 15.4" x 15.4" x 1.57" (390x390x40mm)  
 Weight: 1.5 lb (0.68 kg)  
 Installation: Flush Mount to Wall or Articulating  
 Wall/Pole Mount (included)

Radome Material: ABS  
 Connector: RPSMA Plug  
 Number of Leads: 4  
 Cable Length: 36" (910mm)  
 Cable Type: ATS-195



## ENVIRONMENTAL SPECIFICATIONS

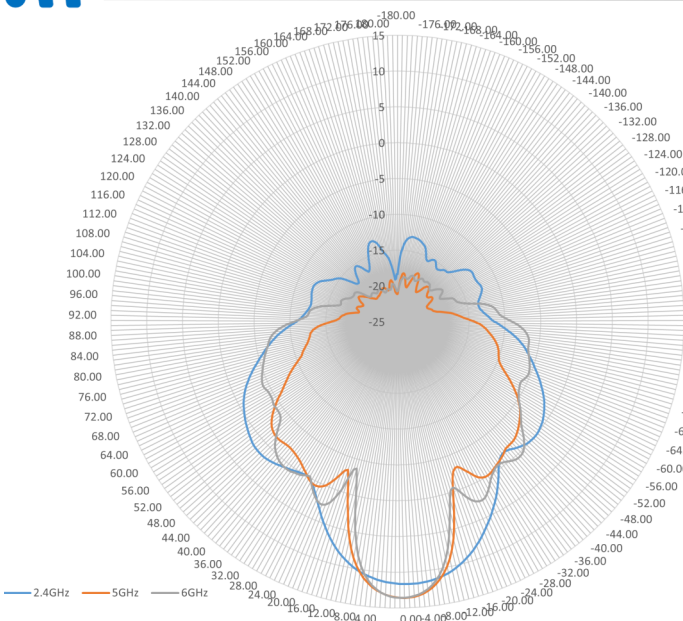
Installation Environment: Indoor/Outdoor  
 IP Rating: IP67

## WARRANTY

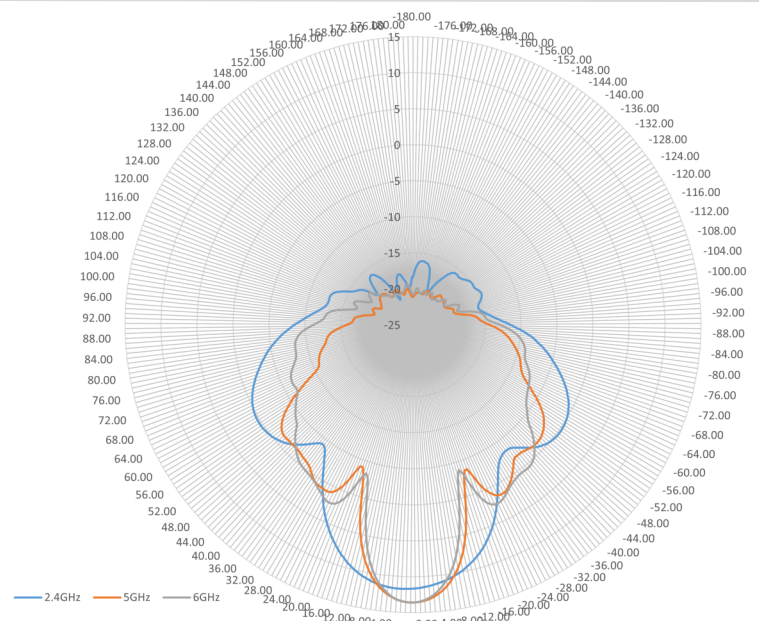
2 Year Limited Warranty



## VERTICAL

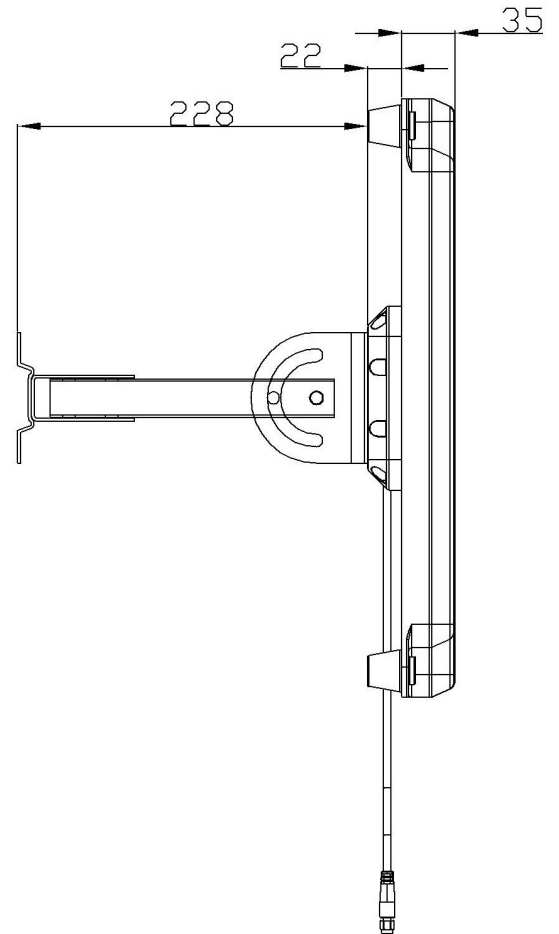
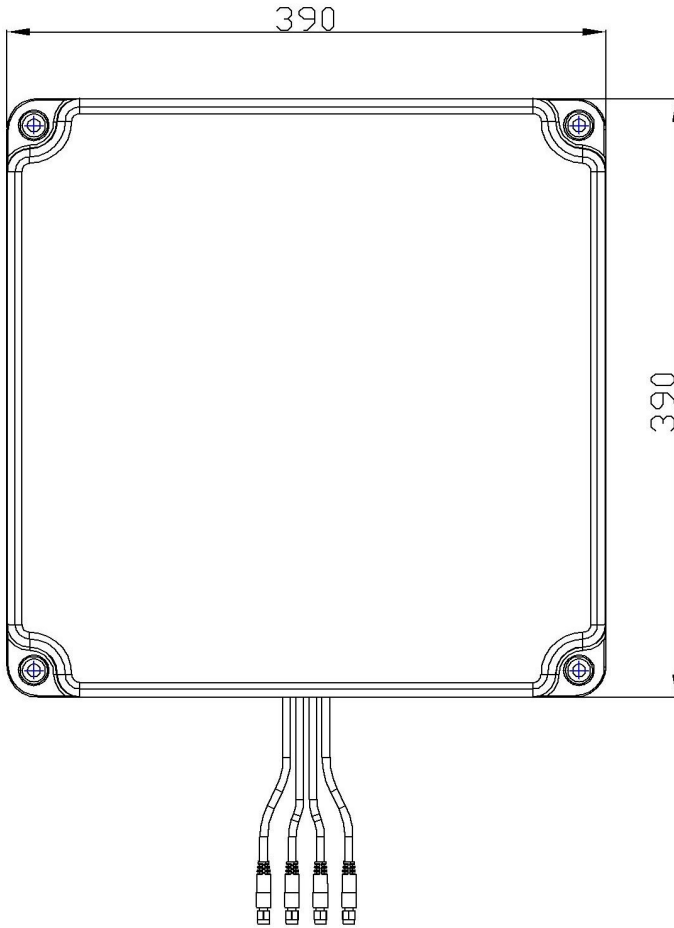


## HORIZONTAL





# 2.4/5/6 GHZ 12 DBI 4 ELEMENT INDOOR/OUTDOOR PATCH ANTENNA WITH RPSMA ATS-OHDP-2456-12-4RPSP-36



The facts and figures herein are carefully compiled to the best of our knowledge and are intended for general informational purposes only. Responsibility for the use and application of AccelTex Solutions materials rests with the end user. All AccelTex Solutions products are sold pursuant to the AccelTex Solutions Terms and Conditions of Sale. © 2023 AccelTex Solutions. All Rights Reserved. AccelTex, AccelTex Solutions, the AccelTex Solutions Logo and other marks are trademarks or registered trademarks of AccelTex Solutions. Other products or service names may be the property of third parties.

**1.888.406.8906**  
**SALES@ACCELTEX.COM**